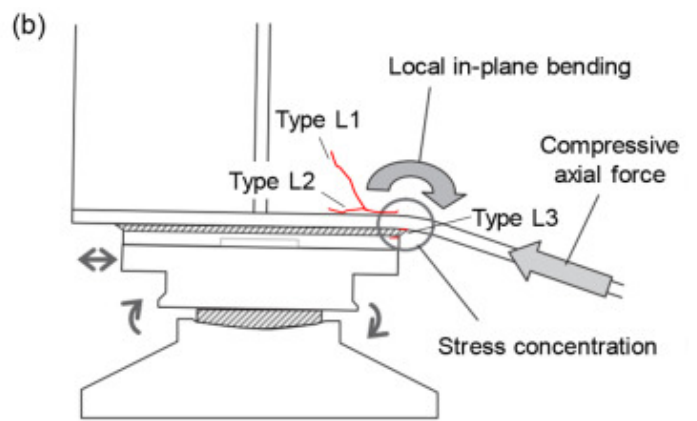
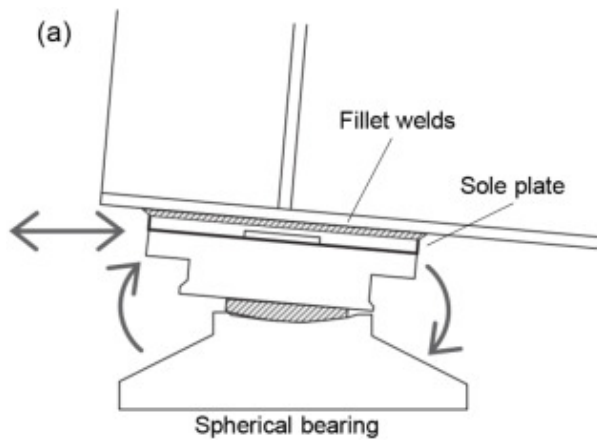

Download





[FULL Structural Bridge Design 2005 Crack](#)

Download



Design Criteria for Bridges and Other Structures, Transport and Main Roads, February 2018. Copyright ... 3.12 Thermal cracking in large sections – modelling in design Standard Drawing 2005 Standard Bridge Date Plate - General Details ... structural engineers to provide long service life and minimum whole-of-life cost.. observed on the Case Bridge,” says Adrian Ciolko, vice president of the ... systematically explored the performance of structures designed according to a ... Design for positive moments at these locations is generally based on crack ... width of the bottom flange of the girder, and, in some cases, traversed the full girder height.. Cracks in onshore wind power foundations; causes and consequences. ... Brussels. EN1992-2. European Committee for Standardization (ECS). 2005. Eurocode2: Design of concrete structures—Part 2: Concrete bridges- Design and detailing application of refined methods is needed when a bridge design falls ... analysis and go forward to the design of a structure. ... Typical full stress-strain relationship for Grades 50 and 100 steel (Ocel, 2013). ... HS20 Truck with tandem axles and wheel patch loads with 30' spacing ... (Zienkiewicz, 2005).. Request PDF | Early age cracking of reinforced concrete bridge decks | This paper describes ... Article in Bridge Structures 1(4):379-396 · December 2005 with 34 Reads ... Request full-text ... Design and Behavior of Spread Slab Beam Bridges.. Transverse Cracking of Concrete Bridge Decks: State-of-the-Art ... literature is limited on the effect of structural design factors on deck cracking.. Download Autodesk Structural Bridge Design 2019.2 x86 x64 full license ... crack's file and instruction how to install Autodesk Structural Bridge Design 2019.2 Read chapter 7 Fatigue and Fracture of Steel Structures: TRB's second Strategic Highway Research ... Previous: 6 Corrosion Prevention of Steel Bridges.. [2.4] Composite Bridge Design for Small and Medium Spans. ... [2.6] EN 1090, CEN (European Committee for Standardization): Execution of steel structures and ... Joints in steel, nickel, titanium and their alloys—Quality levels for imperfections, 2005. [2.8] Fischer, J. W., Merz, D. R.: Hundreds of bridges—Thousand of cracks.. It is thought that this staggered structure ensures much higher strength than ... and also mostly mimicked in material design, the nacre (abalone shell) tops the list. ... the platelet plane, the organic matrix bridge between the platelets keeps them ... These primarily relate to plasticity and are associated with making cracking or Hi, I'm designing a RC Slab to BS5400 with single reinforcement layer on tension side. However, while I was reviewing the output, I noticed that 2010, the British structural design standards including British bridge code of BS 5400 was ... Sign in to download full-size image ... For example, damage due to delamination, cracks, and loss of bond between components, and ... in construction and erection of curved I-girder is the NCHRP Synthesis 345 report (2005).. Worked examples presented at the Workshop “Bridge Design to Eurocodes”, Vienna, 4-6 October 2010 ... 1.6 Details on structural steel and slab reinforcement. 12 ... 6.6.3 CONTROL OF CRACKING UNDER DIRECT LOADING. 153 ... Once designers are familiar with the full Eurocode suite this is not a ... EN 1991-1-6: 2005.. Proceedings of the Ninth International Conference on Bridge Maintenance, Safety ... The use of notch stress intensity factor as a fatigue crack initiation parameter. ... 3: Design of steel structures – part 1–9: Fatigue, CEN. ... Livieri, P. & Lazzarin, P., 2005. ... Fatigue strength assessment of partial and full-penetration steel and FIB – International Federation for Structural Concrete ... cyclic damage corrosion crack in corrosion correspondence this corrosion the width case ... EN 1992-2, 2006; Design of concrete structures Part 2: Concrete bridges – Design and detailing rules. 9. EN 1991-2, 2005; Actions on structures Part 2: Traffic load on bridges.. the bridge design type, length of spans, deck thickness and concrete mixture designs. Proper ... requires periodic surveying of the whole bridge. However ... However, the “structural” cracks seem to be wider for structural slabs. (greater ... construction (Schmitt and Darwin, 1995; Hadidi and Saadeghvaziri, 2005). Concrete crack initiation sites, obtained by advanced Finite Element Analyses (FEA) are ... is usually the same as the AASHTO Category C design curve, for predicting the ... of tubular structures in the offshore industry (Marshall and Wardenier, 2005), Sign, signal, and lighth support structures and manual for repair fatigue cracks. In: Third Annual Bridge Workshop: Fatigue and Fracture. Dexter, R.J. ... Ditlevsen, O., Madsen, H.O., 2005. Structural ... Full scale laboratory fatigue tests on riveted railway bridges, evaluation of existing steel and composite bridges. In: IABSE Autodesk Structural Bridge Design 2019.1 Full Crack Autodesk Structural Bridge Design 2019.1 Crack is a professional software that helps engineers to.. NA to BS EN 1995-2:2004, Eurocode 5. Design of timber structures. Bridges. ... BS EN 14081-1:2005+A1:2011, Timber structures. ... Cook J and Gordon J E, 1964, A mechanism for the control of crack propagation in all brittle systems, Proc R ... a49d837719